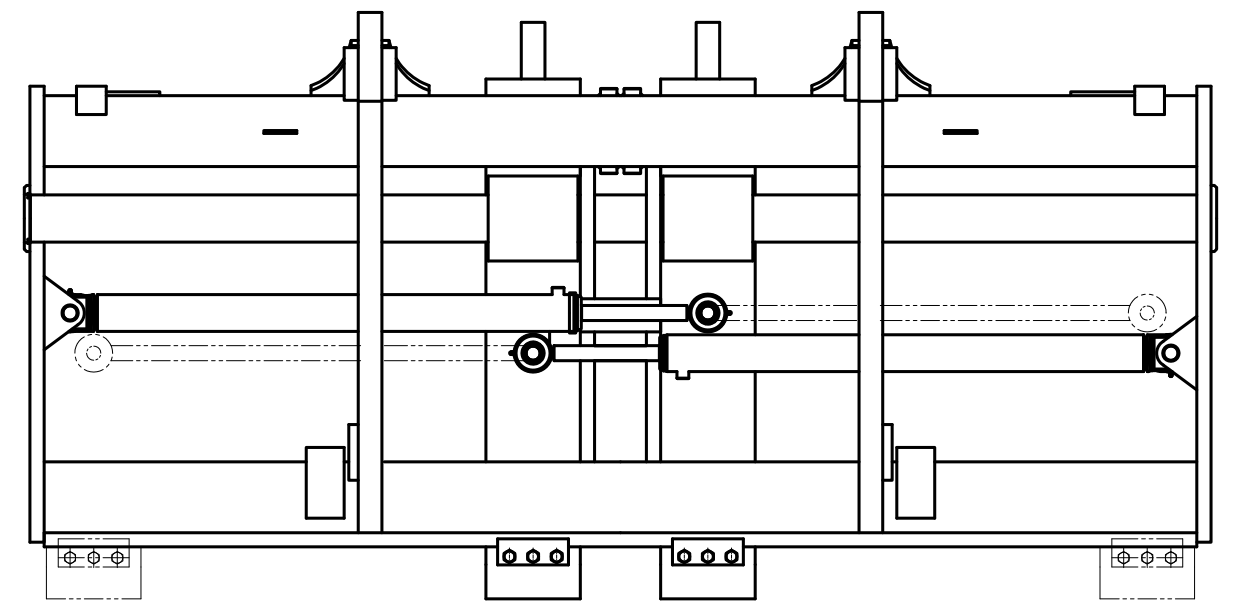
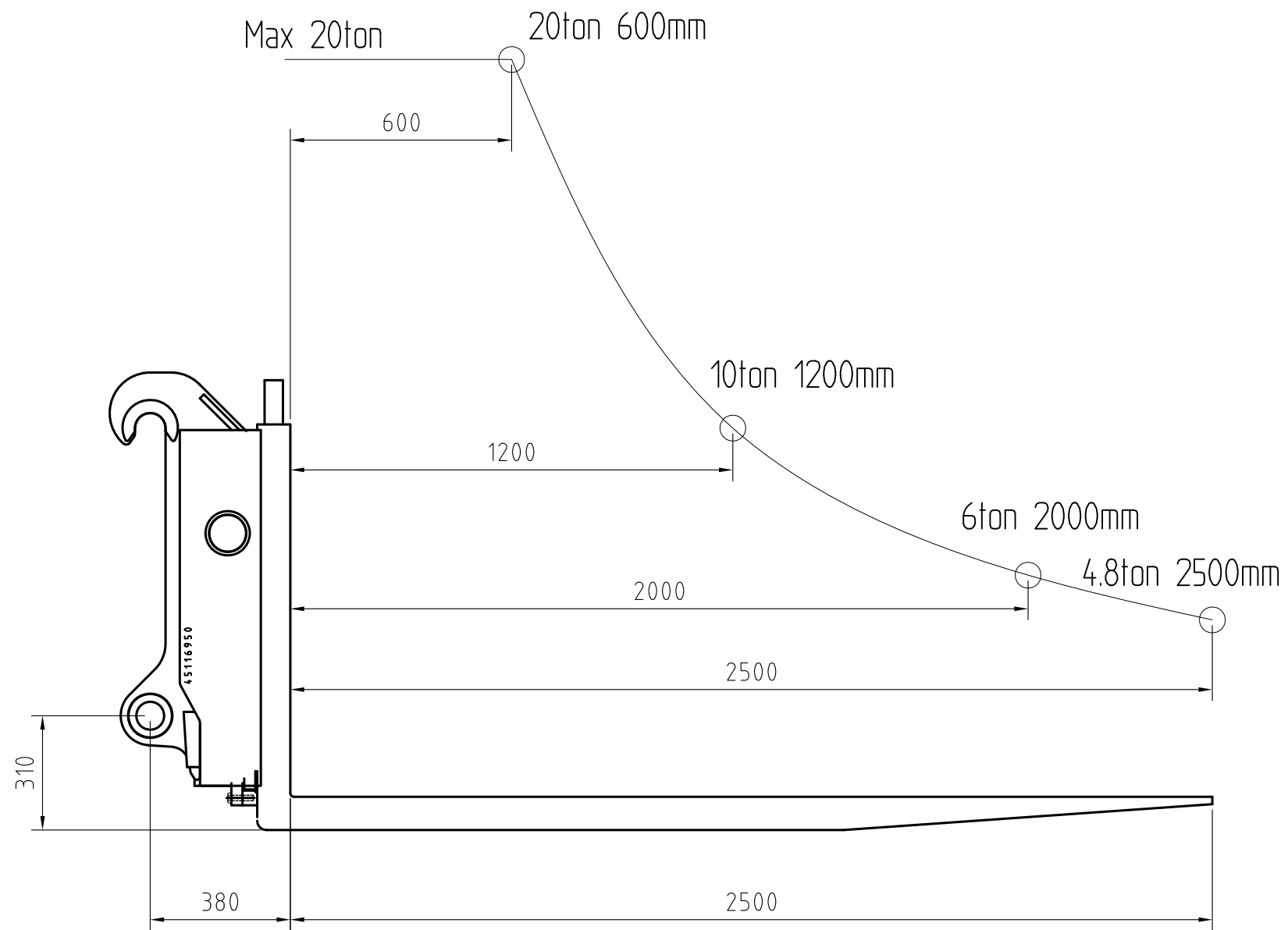


Maximum load is the smallest of the two below:

A: Maximum load for the palletfork itself as stated here for the pair of forks.

B: Maximum load for the machine in regard of tipping load, to be stated by mashine supplier..



Hydr fork 20T/tp600 2500mm/2500 ABL180  
45116900page9  
2017-08-18 SA